

3mm Square Tact Switch (0.7mm Thick, SMT Type)



TSC-11S-XXX


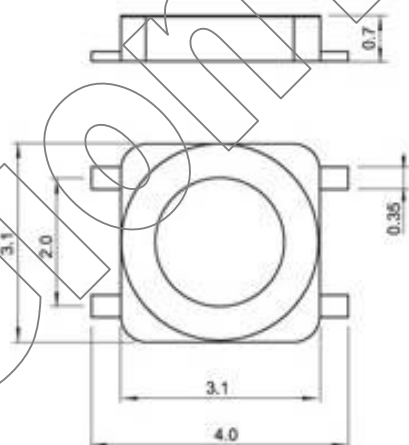
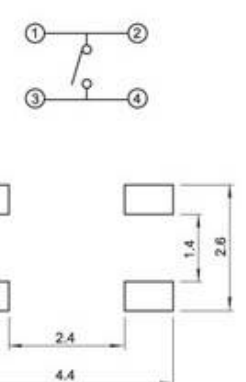
TS - Tact Switch
C - C Serious
11 - Type
S - SMT Type
XXX - Action Force (gram)

SPECIFICATIONS

Mechanical Life: 100,000 cycles for 160g±50g
50,000 cycles for 250g±50g
Operating Force: 160g±50g, 250g±50g
Rating: 50mA 12V DC
Dielectric withstanding: 250V AC/minute
Insulator resistance: ≥ 100 MΩ at 100V
Contact resistance: ≤ 100 mΩ/Contact
Operating temperature: -20°C ~ +70°C
Storage temperature: -40°C ~ +85°C

Material

Base: LCP, UL94V-0
Contact material: Phosphor Bronze
Contact Spring Plating: Stainless Steel/Silver Plating

| Physical Picture | Outline Drawing | Circuit |
|--|--|---|
|  <p>TSC-11S-XXX</p> |  |  |